

Ventilcassaforma

Template for recessed installation of fancoils in the wall

Variable Multi Flow[®]

CHF
CHU L



VMF

Ventilcassaforma has been designed to respond to the needs to rationalise spaces to suit modern interior architecture.

Ventilcassaforma is a galvanised template that makes it possible to make a space to house fan coils in the wall. The template will make masonry work easier during the construction of a niche where the fan coil will be installed. When the work is finished, the fan coil will be completely hidden from view.

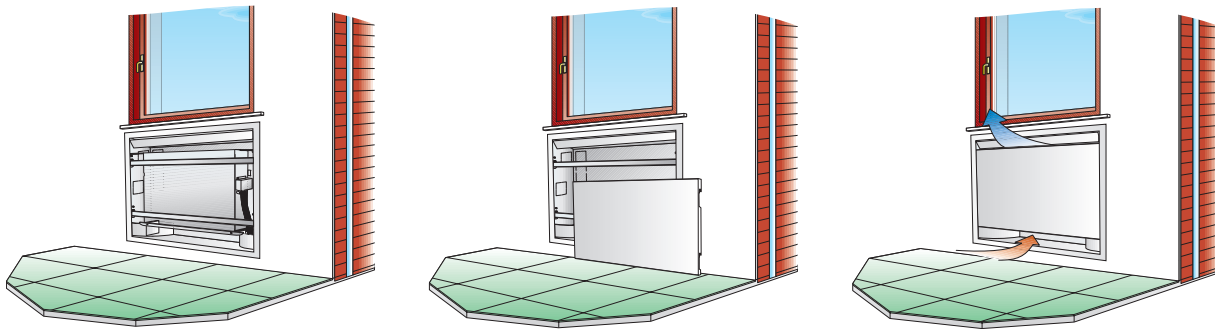
Ventilcassaforma is available in two versions with the same characteristics but designed to house fan coils from two different series:

- **CHU-L** for fan coils in the **Omnia UL-P** series
- **CHF** for fan coils in the **FCX-P**, **FCX-PV** and **FCXI-P** series in 2 pipe systems, 2 pipe systems with resistance and with 4 pipe systems

Features

- Available in two versions for combined fan coils:
 - CHU-L:** Ventilcassaforma for the OMNIA UL-P series. Available in four sizes
 - CHF:** Ventilcassaforma for FCX-P, FCX-PV and FCXI-P fan coils. Available in 5 sizes
- **Compatible with VMF System**
- **Ventilcassaforma** is made up of the following parts to be assembled:
 - Recess box;
 - Closure panel;
 - Outer frame with deflector;
 - Cover bases, cross-members, covers.

All parts are made of galvanised steel and treated with epoxy-polyester resin-based thermo-hardening base paint in grey with rough glazed finish in order to hold the paint. The final colour can be chosen by the client.
- **Closure Panel:** Made of galvanised steel, this is the box housing the fan coil. The box is recessed in the wall during building work making the construction of a niche where the fan coils will be installed much easier. Holes for fitting the fan coil and preparing an electric plant with a socket and GEWISS fuse holder are already present on the back panel. The box can accommodate the hydraulic system pipes and condensation drain pipes thanks to the presence of several easily-removable elements on the sides and base.
- **Closure Panel:** made of steel pre-treated with base paint and no slots present.
- Easily removable for servicing and cleaning the air filter.
- **Outer Frame:** the perimeter of the box has an outer frame made of pre-treated steel making it possible to cover the perimeter part of the wall and hide any imperfections that overtime show possible crumbling on the edge of the plaster work.
- **Deflector:** manual, with which the flow of air can be directed into the room. The deflector is incorporated in the frame.



Ventilcassaforma - Omnia UL combination

Ventilcassaforma CHU L + Omnia UL combination					
Ventilcassaforma	CHU 12 L	CHU 17 L	CHU 27 L	CHU 37 L	
Fan coil	Omnia UL 11 P	Omnia UL 16 P	Omnia UL 26 P	Omnia UL 36 P	
Ventilcassaforma CHF - FCX P / FCX PV / FCXI P / FCZ P / FCZI P					
Ventilcassaforma	CHF 17	CHF 22	CHF 32	CHF 42	CHF 62
	FCX 17 P	FCX 22 P	FCX 32 P - 36 P	FCX 42 P - 50 P - 56 P	FCX 62 P - 82 P - 102 P
	FCX 17 PV	FCX 22 PV	FCX 32 PV - 36 PV	FCX 42 PV - 50 PV - 56 PV	FCX 62 PV - 82 PV - 102 PV
	FCZ 1 P-PPC *	FCX 24 P	FCX 34 P	FCX 44 P - 54 P	FCX 64 P - 84 P
Fan coil		FCX 24 PV	FCX 34 PV	FCX 44 PV - 54 PV	FCX 64 PV - 84 PV
		FCXI 20/24 P	FCXI 30/34/36 P	FCXI 40/44 P - 50/54/56 P	FCXI 80/84 P
		FCZ 2 P-PPC-PO *	FCZ 3 P-PPC-PO *	FCZ 4/5 P-PPC-PO *	FCZ 6/7/8/9/10 P-PPC-PO*
		FCZI 2 P *	FCZI 3 P *	FCZI 4/5 P *	FCZI 7/9 P *

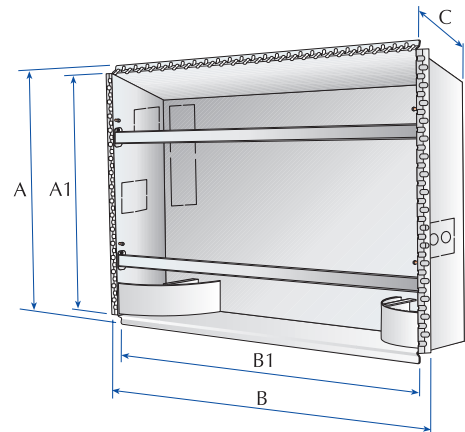
The fan coils FCX-P, FCX-PV and FCXI-P can be inserted into 2 pipe systems, 2 pipe systems with resistance and 4 pipe systems

* For fan coils FCZ and FCZI, with 1, 2, 3, 4 means all sizes available es. with "1" means 100/101/102/150

Dimensions (mm)

CHU		12 L	17 L	27 L	37 L
Height	A	691	691	691	691
	A1	648	648	648	648
Width	B	692	802	1032	1252
	B1	644	754	984	1204
Depth	C	186	186	186	186

CHF		17	22	32	42	62
Height	A	728	728	728	728	833
	A1	684	684	684	684	789
Width	B	732	842	1073	1293	1414
	B1	684	794	1025	1245	1366
Depth	C	240	240	240	240	240



Outer frame and closure panel

CHU		12 L	17 L	27 L	37 L
Height	A	724	724	724	724
	A1	634	634	634	634
	A2	70	70	70	70
	A3	494	494	494	494
Width	B	713	823	1053	1273
	B1	633	743	973	1193

CHF		17	22	32	42	62
Height	A	760	760	760	760	865
	A1	680	680	680	680	785
	A2	93	93	93	93	93
	A3	493	493	493	493	598
	A4	94	94	94	94	94
Width	B	753	863	1094	1314	1435
	B1	673	783	1014	1234	1355

